

FVUM. FVUG

In-line Filters

The advantage of this range of filters is that they are equipped with a transparent tank so that clogging is visible.



Characteristics

Models	A	B	C	D	G	Flow rate (SCFM)
FVUM 14	75	60	49.5	49.5	G1/4"-F	5.30
FVUM 38	75	64	49.5	51.5	G3/8"-F	12.36
FVUG 38	90.5	126.5	75	112.5	G3/8"-F	12.36
FVUG 12	90.5	130	75	114.5	G1/2"-F	17.66

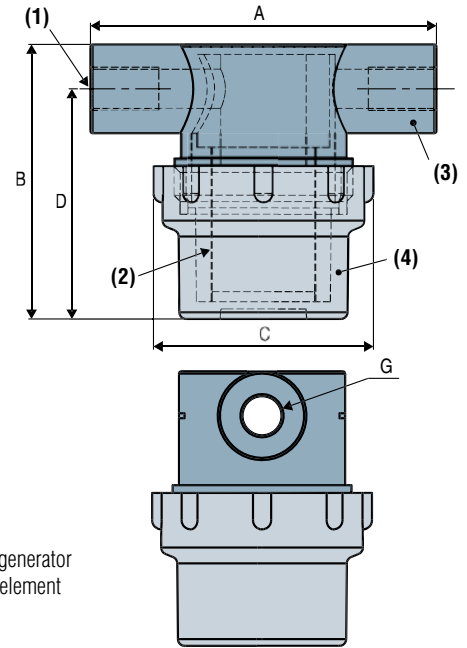
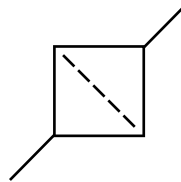
Note: all dimensions are shown in (mm)

Operating range

■ - 1 to 10 bar

Specifications

Body material	High: nylon 6.6 Tank: transparent polyamide
Filtration	Two options available: 50 micron stainless steel grill or Polyethylene 80 micron
Temperature	32 to 122°F



- (1) Vacuum generator
- (2) Filtering element
- (3) Body
- (4) Tank

FVUM. FVUG

For all orders, please specify:
Model + Size + Fitting + Type of cartridge
e.g. : FVUG38P

1: Model	2: Size		3: Fitting		4: Cartridge	
FVU	M	Mini	14	G1/4" for M series	-	Stainless steel
	G	Large	38	G3/8" for M and G series	P	Polyethylene
			12	G1/2" for G series		



To order a replacement filtering element, please specify:
e.g. : FVUM12E

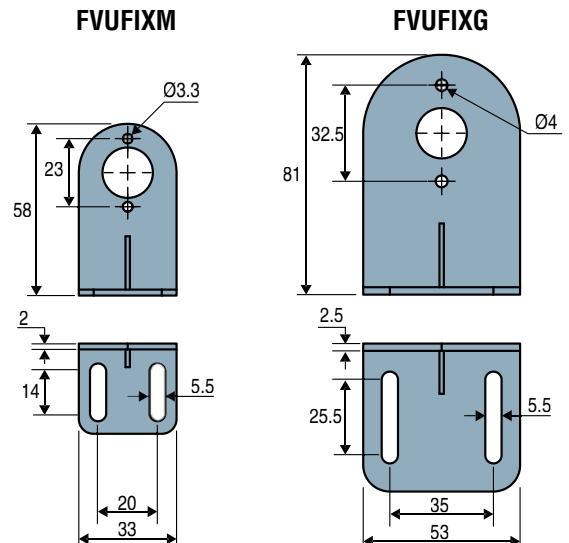
Model	Reference of the filtering element
FVUM14 and 38	FVUM12E (Stainless steel)
FVUG12 and 38	FVUG12E (Stainless steel)
FVUM14P and 38P	FVUM12PE (Polyethylene)
FVUG12P and 38P	FVUG12PE (Polyethylene)

Mounting bracket for vacuum filter

Materials: Polyethylene 20% fiber glass.

Model

FVUFIXM	Mounting bracket for filter FVUM
FVUFIXG	Mounting bracket for filter FVUG



Please specify part n°, eg: FVUFIXM
Please see table above