

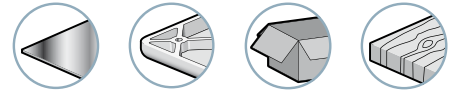
PSP 100

Electronic Vacuum Switch



PSP series electronic vacuum switches have integrated threshold and hysteresis adjustment as standard. 3 vacuum fittings (G1/8" Male, M5 female or M5 F Base) and 2 electrical connections (2 meter cable and M8 connector) make up the standard range.

Industry-specific applications

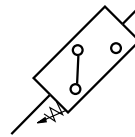


Specifications

| Models | PSP 100 L | PSP 100 LM5 | PSP 100 C | PSP 100 CM5 |
|------------------------------|---|----------------|------------------------|----------------|
| Compatible fluids | All non-corrosive, filtered, non-lubricated gases | | | |
| Supply | Regulated 18-30 V DC, polarity inversion protection | | | |
| Current consumed | < 20 mA | | | |
| Transistor output | NO 125 mA with 24 VDC | | | |
| Thermal drift | ± 3% of the measuring scale between 32 and 122°F | | | |
| Output viewing | LED | | | |
| Response time | < 5 ms | | | |
| Threshold adjustment | By 3/4 turn potentiometer | | | |
| Hysteresis adjustment | 0 to 30% adjustment by 3/4 turn potentiometer | | | |
| EMC | Industrial standard class B | | | |
| Materials | PA 66 and brass | PA 66 and Alu. | PA 66 and brass | PA 66 and Alu. |
| Temperature | Operation: 32 to 122 °F Storage: 14 to 140 °F | | | |
| Protection | IP 50 | | | |
| Electrical connection | PVC cable (length 2m) | | M8 connector (4 poles) | |
| Pneumatic connection | G1/8"-M or M5-F | Base M5-F | G1/8"-M or M5-F | Base M5-F |
| Weight | 62 g | 67 g | 22 g | 27 g |
| Adjustment range | 0 to -1 bar | | | |

Advantages

- 1 configurable digital output
- Adjustable hysteresis
- Measuring range: 0 / -1 bar
- Overpressure: +3 bar
- PNP

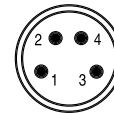


Additional Information

Electrical connections

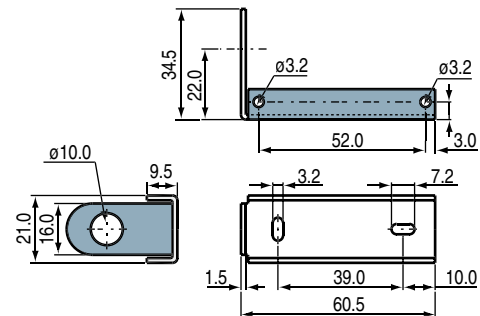
- PVC cable (length 2m)
 - Brown (+24 V)
 - Blue (0 V)
 - Black (Contact)

■ M8 connector

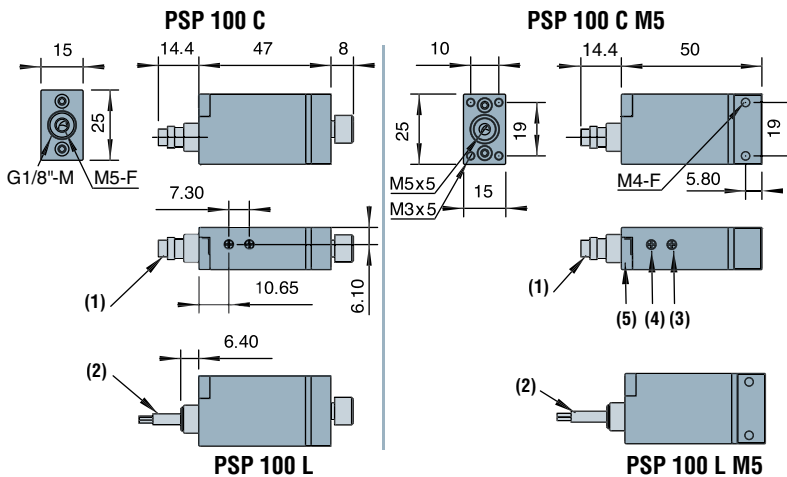


- 1 = + 24 V - Brown
- 2 = -
- 3 = 0 V - Blue
- 4 = Contact - Black

Vacuum switch attachment - Clip Part No: PSE.F



Dimensions



- (1) M8 4 pole connector version
- (2) PVC cable version (2 m)
- (3) Hysteresis adjustment
- (4) Threshold adjustment
- (5) Threshold display LED

Note: all dimensions shown in (mm)

Accessories

- Straight or angled connector, see page 10/11.
- Mounting on vacuum pump:
 - GVP series: GVO PSP 100 C
 - GVO PSP 100 L
 - GEMP series: VB option



For all orders, please specify:
Model + Electrical connection + Vacuum connection.
Example: PSP100C

| 1: Model | 2: Electrical connection | 3: Vacuum connection |
|----------|--------------------------|----------------------|
| PSP 100 | L 2 m cable | - G1/8"-M or M5-F |
| | C M8 connector | M5 Base M5-F |