

# FSL

## Liquid Separator Vacuum Filters



We particularly recommend using the FSL series liquid separator vacuum filters to retain liquid and particles that may be found in a vacuum network. The filtering element consists of a 60 or 100 micron stainless steel filter and protects the vacuum generator under normal operating conditions.

### Advantages

- Transparent tank that makes clogging visible.
- Manual drain in the bottom of the tank used to remove any liquid and dirt (Note: This operation must only be carried out when the vacuum network is at atmospheric pressure).

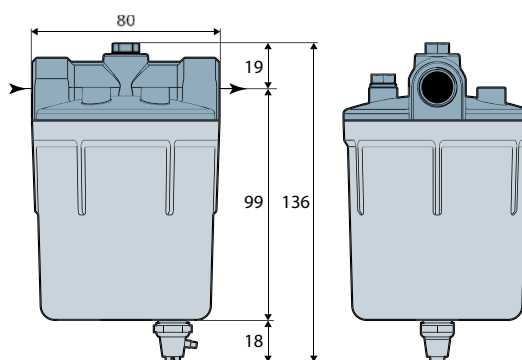
### Characteristics

| Models      | Fitting | Stainless steel filtering | Flow rate <sup>(1)</sup> (NI/min) |
|-------------|---------|---------------------------|-----------------------------------|
| FSL38 I 100 | G3/8"-F | 100 µ                     | 350                               |
| FSL38 I 60  | G3/8"-F | 60 µ                      | 350                               |

(1) The flow rate may vary according to the viscosity of the liquid drawn in.

### Specifications

|                        |  |
|------------------------|--|
| <b>Material</b>        | Lid: molded aluminium<br>Tank: transparent polyamide<br>Filter cartridge: stainless steel<br>Accessories: brass and nickel-plated brass<br>Seal: nitrile |
| <b>Filtering</b>       | Two options available: 60 and 100 microns  |
| <b>Operating range</b> | -1 to 2 bar  |
| <b>Pressure max.</b>   | 2 bar  |
| <b>Temperature</b>     | 0 to 50 °C   |



For all orders, please specify:  
**Model + Filtering**  
e.g.: FSL38I100

| 1 : Model | 2 : Filtering |
|-----------|---------------|
| FSL38 I   | 100 100 µ     |
|           | 60 60 µ       |



To order a replacement filtering element, please specify:  
e.g.: FSL38 I 100 E

| Model       | Reference of the filtering element | Filtering |
|-------------|------------------------------------|-----------|
| FSL38 I 100 | FSL38 I 100 E                      | 100 µ     |
| FSL38 I 60  | FSL38 I 60 E                       | 60 µ      |

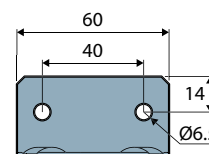
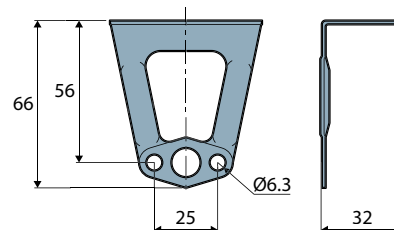
### Mounting bracket for FSL series liquid separator filter

Material: zinc-plated steel

#### Model

**FSL38FIX** Mounting bracket for FSL filter

Note: Supplied with two M6 screws to mount bracket on filter.



Note: all dimensions are shown in (mm)



Specify part n°: FSL38FIX