

FPC

FlowPack Suction Cups



Combining great flexibility and food compatibility, the new FPC Series suction cups have been specially designed to optimize the handling of packed bags from 100 g to 5 kg. E.g. - FlowPack, DoyPack, etc.

- Its gripping ability allows for high production rates.
- No interruption in the packaging line due to faulty gripping.
- Suction cup made of silicone, a material that is recommended for its temperature resistance and food safety (FDA and CE 1935/2004).
- Energy Savings: the airtightness of FPC Series suction cups avoids the need for an oversized vacuum generator.

Different forms and dimensions for a suitable solution.

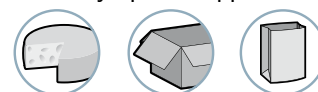
- Round Ø 35 1.5 bellows, Round Ø 60 mm or elliptical 120 x 100 mm.

Applications

The FPC series suction cups are dedicated to the handling of flexible packaging such as FlowPack, Doypack, etc. :

- FlowPack < 0.5 kg: suction cup Ø 35 mm, FPC351.5.
- FlowPack < 1.5kg: suction cup Ø 60 mm, FPC60.
- FlowPack ≤ 5 kg: elliptical suction cup 120x100 mm, FPC120100.

Industry-specific applications



Types of use



More information

Materials

Suction cups: **SIBL3** Blue silicone 35 Shore A
SIBL5 Blue silicone 50 Shore A

Fittings: Plastic POM-C and PETP

Flat seal: Silicone

Screw: Stainless steel

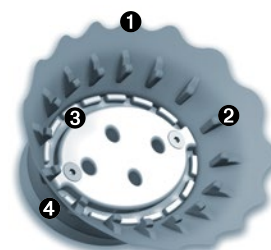
FPC suction cups are compatible with FDA food standards (FDA 21 CFR 177.2600.) and meet the European regulation (EC) 1935/2004.

FPC 3

Innovations

The shape of the lip has been designed to match the deformation of flexible packaging and ensure the best possible seal during positioning; which, as an additional advantage, allows for a reduction in power of the vacuum generator. The FPC suction cups are also equipped with cleats that stiffen the lip and reinforce the clamping effect.

- 1 Thin and wavy flower-shaped lips that perfectly mold to the packaging, whatever the shape.
- 2 Internal cleats that allow for optimized vacuum while preventing any crushing and also strengthen the hold on the product being handled.
- 3 Fittings featuring a lateral vacuum distributor that prevent any loss in efficiency when the product is held.
- 4 Materials: Food-grade silicone and plastic insert meets FDA and CE standards.



Suction Cup characteristics

	Dim. (mm)	(cm ³)	(lbf) ⁽¹⁾	SIBL3	SIBL5
				Part number suction sup + fitting	Part number suction sup + fitting
FPC351.5...IF14PC	Ø 35	7.2	1.12	FPC351.5SIBL3IF14PC	FPC351.5SIBL5IF14PC
FPC60...IF38PC	Ø 60	24.5	3.37	FPC60SIBL3IF38PC	FPC60SIBL5IF38PC
FPC120100...IF38P1V	120x100	167	11.24	FPC120100SIBL3IF38P1V	FPC120100SIBL5IF38P1V

(1) Force measured at 65% vacuum, without safety factor.

Range

FPC351.5...IF14PC

Round Ø 35 mm 1.5 bellows



FPC60...IF38PC

Round Ø 60 mm



FPC120100...IF38P1V

Elliptical 120 x 100 mm

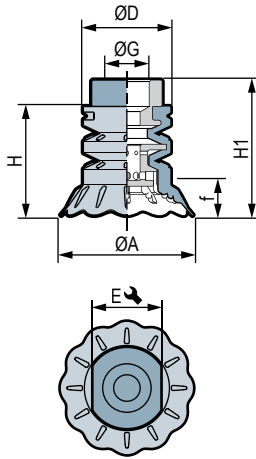


Specify the part number e.g.: FPC60SIBL3IF38PC
Please refer to the characteristics table above

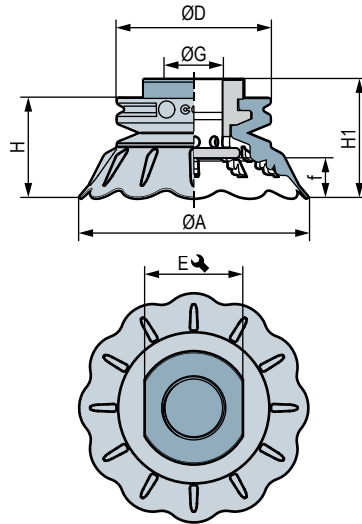


Suction Cup + fitting

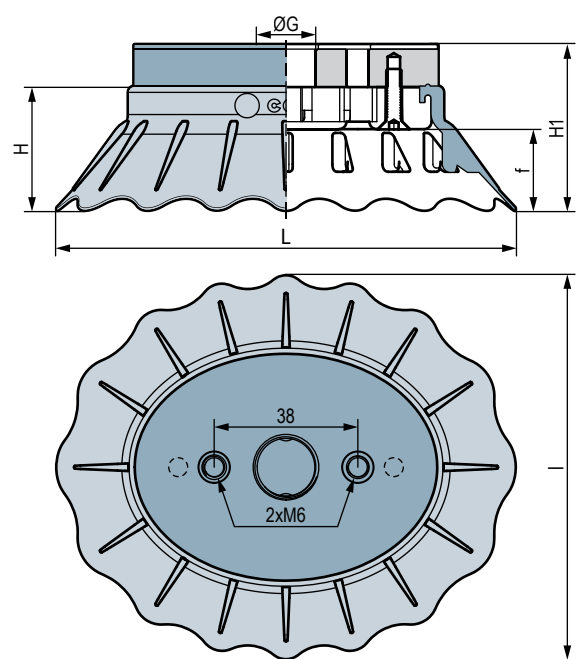
FPC351.5...IF14PC





FPC60...IF38PC



FPC120100...IF38P1V



	Ø A	Ø D	L	l	f ⁽¹⁾	H	H1	Ø G	E ↻	 (g)
FPC351.5...IF14PC	35	23	-	-	10	29	36	G1/4"-F	19	9.9
FPC60...IF38PC	60	40	-	-	10	26	33	G3/8"-F	26	21.5
FPC120100...IF38P1V	-	-	120	100	15	32.5	42.5	G3/8"-F	-	92.1

(1) f = Deflection of the suction cup

Mounting Configurations

FPC351.5 / FPC60

Via connection:

■ FPC351.5 : G1/4"-F

■ FPC60 : G3/8"-F



FPC120100

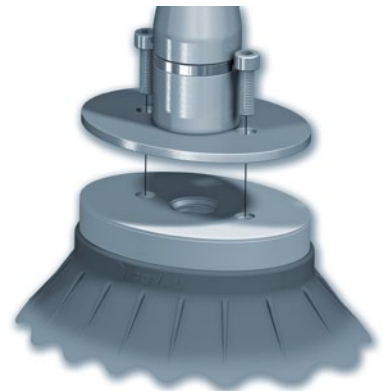
From below:

2 M5x20 screws(not included)



From above:

2 M6x16 screws(not included)



The values represent the average characteristics of our products.
Note: All dimensions are in mm

FlowPack Suction Cups Part Configurations



FPC351.5

Ø 35 mm 1.5 bellows
COMPLETE PART CONFIGURATION

SUCTION CUP
+
UPPER G1/4"-F FITTING
+
LOWER PLATE:

Hardness 35 Shore
FPC351.5SIBL3IF14PC

Hardness 50 Shore
FPC351.5SIBL5IF14PC



INDIVIDUAL PART REFERENCE

UPPER G1/4"-F FITTING ONLY:
IF14PFPC35

SUCTION CUP ONLY:
Hardness 35 Shore
FPC351.5SIBL3
Hardness 50 Shore
FPC351.5SIBL5

LOWER PLATE ONLY
IL1PFPC35

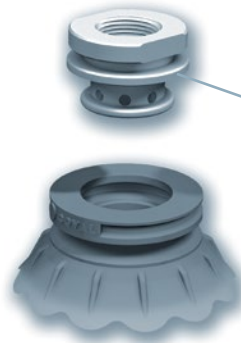
FPC60

Ø 60 mm
COMPLETE PART CONFIGURATION

SUCTION CUP
+
G3/8"-F FITTING:

Hardness 35 Shore
FPC60SIBL3IF38PC

Hardness 50 Shore
FPC60SIBL5IF38PC



INDIVIDUAL PART REFERENCE

G3/8"-F FITTING ONLY:
IF38PFPC60

SUCTION CUP ONLY:
Hardness 35 Shore
FPC60SIBL3
Hardness 50 Shore
FPC60SIBL5

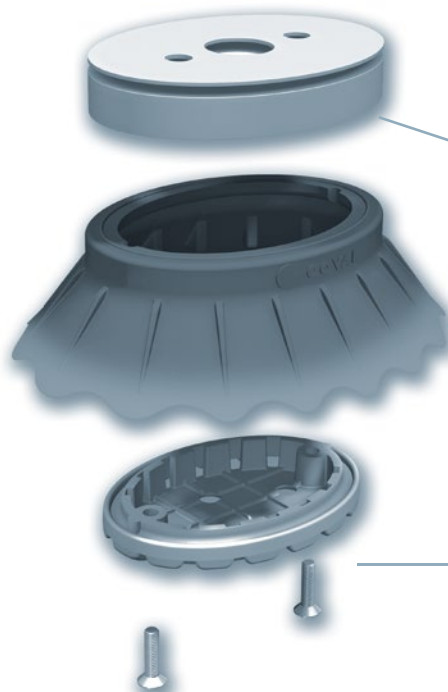
FPC120100

Elliptical 120 x 100 mm
COMPLETE PART CONFIGURATION

SUCTION CUP
+
LOWER PLATE
+
UPPER PLATE G3/8"-F
+
FLAT SEAL:

Hardness 35 Shore
FPC120100SIBL3IF38P1V

Hardness 50 Shore
FPC120100SIBL5IF38P1V



INDIVIDUAL PART REFERENCE

UPPER PLATE G3/8"-F + FLAT SEAL:
IF38PFPC120

SUCTION CUP ONLY:
Hardness 35 Shore
FPC120100SIBL3
Hardness 50 Shore
FPC120100SIBL5

LOWER PLATE + 2 STAINLESS SCREWS M4x16:
IL1PFPC120