



The CSP series safety valve is a useful safety device. In the event of loss of vacuum or emergency stop it maintains the vacuum in the suction cup. Release is obtained by connecting the ancillary coupling to the pressure supply.

Materials

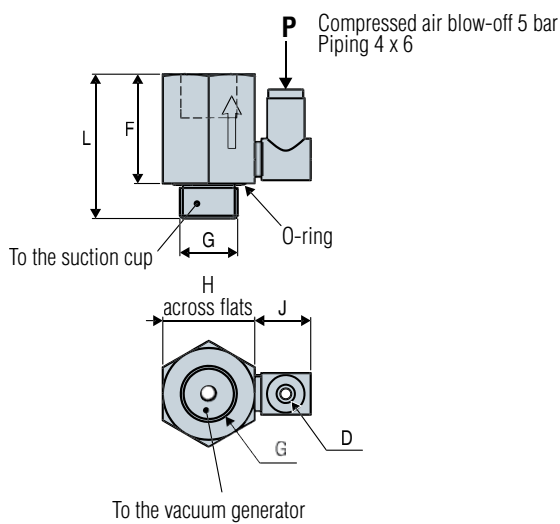
Valve Nitrile (NBR)

Body Anodized aluminum

Filter Stainless steel screen 200 μ

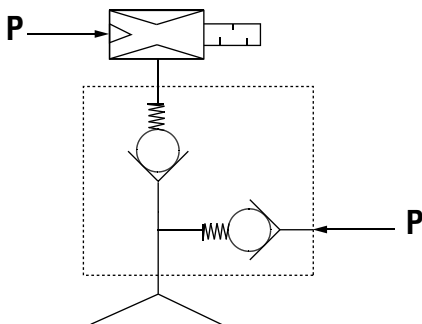
Characteristics

Reference	G	$\varnothing D$	F	L	J	H
CSP 14	G1/4"-M	4	25	33	12.8	21



Mounting

- One safety valve per suction cup.
- Blow-off pressure, minimum 5 bar.



Please specify the part e.g.: CSP14
See part n° table above.

Note: All dimensions are in mm