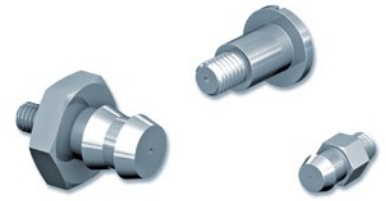


Flow Control Fittings

Groups 1 and 2

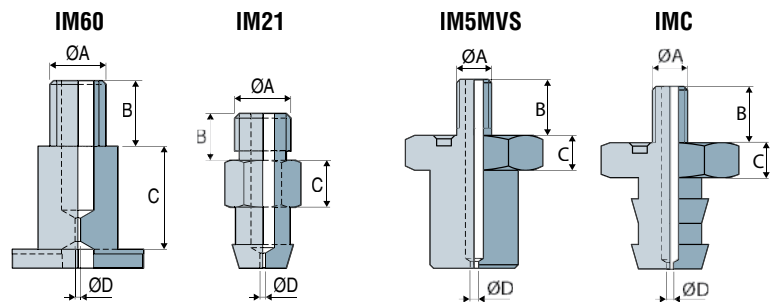


These fittings are designed for installations with a large number of suction cups connected to the same vacuum generator (vacuum gripper technology), particularly in cases where there may be objects missing from the layer of objects to be handled. Using flow-controlled fittings reduces the loss of flow and therefore optimizes the size of the vacuum generator.

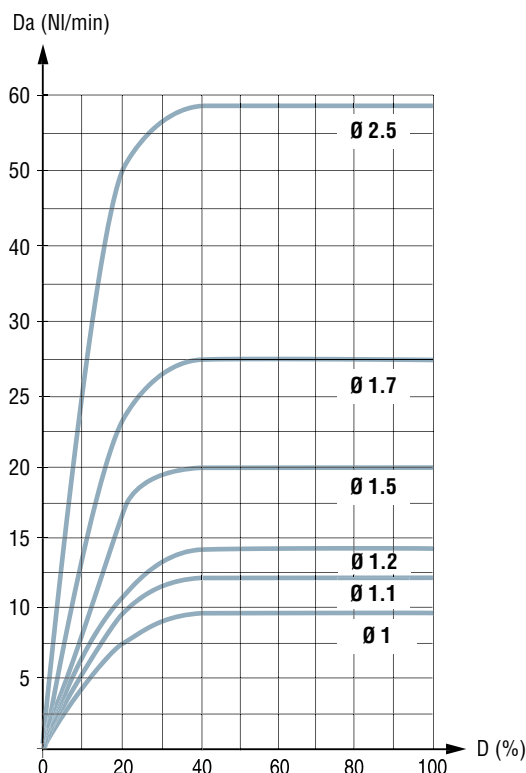
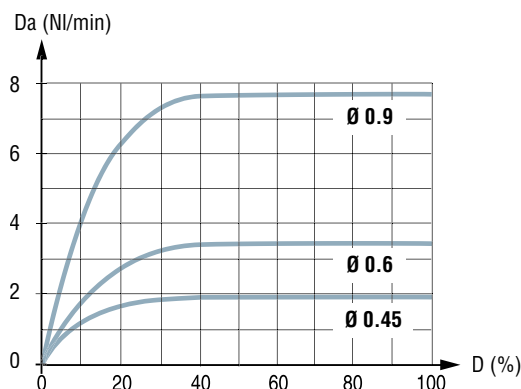
Caution, do not use this type of fitting for applications in a dusty environment.

Characteristics

References	ØA	ØD	B	C
IM5 MVSD1.1	M5-M	1.1	8	5
IM21 SP058	M5-M	0.45	4.5	5
IM21 SP094	M5-M	0.6	4.5	5
IM60 SP335	M6-M	0.6	7	11
IM60 SP387	M6-M	1.2	7	11
IM60 SP461	M6-M	0.9	7	11
IM60 SP483	M6-M	1	7	11
IM60 SP510	M6-M	1.7	7	11
IM60 SP511	M6-M	2.5	7	11
IMCM5 D0.6	M5-M	0.6	8	5
IMCM5 SP691	M5-M	1.1	8	5
IMCM5 SP701	M5-M	1.5	8	5



Maximum suction per nozzle diameter



Da = Suction rate
D = Vacuum



Please specify the part e.g.: IM60SP387
See part n° table above.

Note: All dimensions are in mm