

VPYR

Radial Ball-joint Suction Cups



VPYR series ball-joints are recommended for gripping rounded or rotating products. They are also recommended for gripping requiring high mechanical resistance and force.

Industry-specific applications

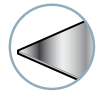
Materials

Suction cups

NBR Nitrile
Si Silicone

Ball-joint

Nickel-plated brass and zinc-plated steel



Types of use

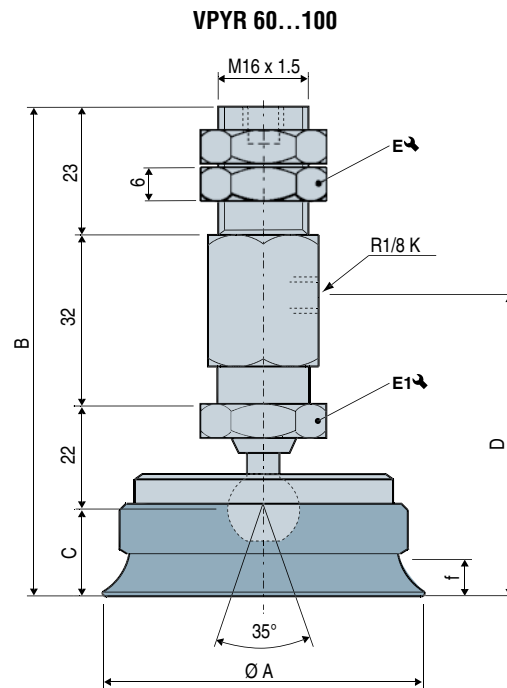
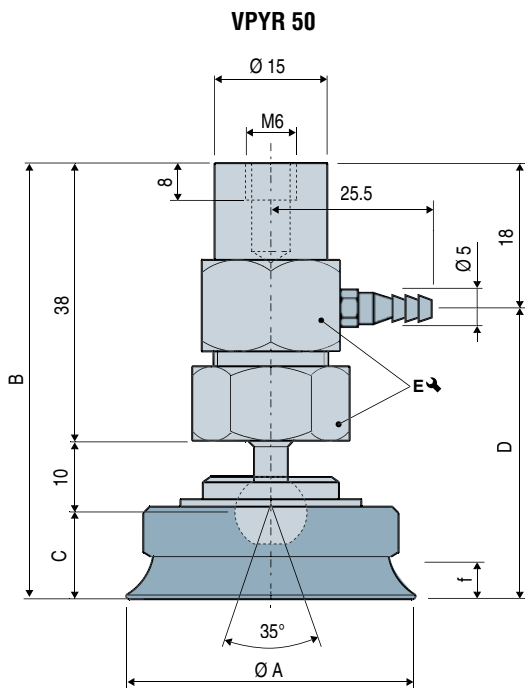


Suction Cup Characteristics

	(lbf) ⁽¹⁾	R _{min}	Ø A	B	C	D	E ↘	E1 ↘	f ⁽²⁾	NBR	Si	(g)
VPYR 50	14.61	41	50	60	12	42	19	-	4	VPYR50NBR	VPYR50SI	117
VPYR 60	21.06	70	60	93	16	58	21	19	5	VPYR60NBR	VPYR60SI	352
VPYR 80	37.34	100	80	95	18	60	21	19	6	VPYR80NBR	VPYR80SI	444
VPYR 100	58.45	150	100	95	18	60	21	19	6	VPYR100NBR	VPYR100SI	568

(1) Actual force of the suction cup with 65% vacuum and a safety factor of 2 included.

(2) f = Deflection of the suction cup.



Replacement suction cup

If the suction cup becomes worn, the VPR suction cup can be ordered alone, specifying the diameter (Ø A) and material of the suction cup. Example VPR 50 NBR.

The values represent the average characteristics of our products.
Note: All dimensions are in mm



Specify the part number e.g.: VPYR50NBR
Please refer to the characteristics table above.

Accessories

Possibility of telescopic spring-mounting on request.

3
VPYR