

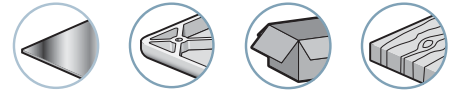
PSE 100 P

Pneumatic Vacuum Switch



The PSE 100 P series vacuum switch with pneumatic output allows the vacuum level in the system to be checked by means of a patented system. This vacuum switch exists in two versions: NO version recommended for the "air saving" function on a venturi and NC version for the "safety" function (object detected, etc.) and "SFC signal".

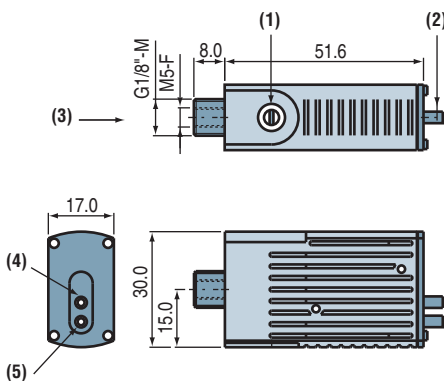
Industry-specific applications



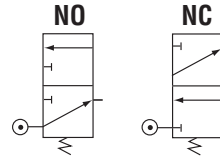
Specifications

Models	Two versions: NO and NC
Compatible fluids	All non-corrosive gases
Pression d'utilisation	2 to 6 bar
Adjustment range	- 300 mb to -850 mb
Precision	3%
Hysteresis	80 to 100 mb
Repetitivity	< 3% of the whole range
Maximum speed	30 cycles per minute
Permissible overpressure	2 bar (destructive at 5 bar)
Mechanical endurance	5 x 10 ⁶ operations
Materials	Body: Polyacetal - Vacuum sensor: nitrile membrane
Weight	32 g
Temperature	-10 °C to 80 °C / 14 °F to 176 °F
Flow rate at 6 bar	70 NI/min

Dimensions



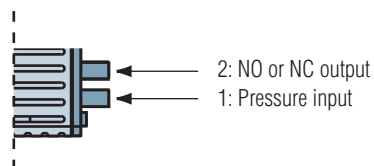
- (1) Vacuum threshold - Adjustment screw
- (2) Hollow shaft for tube, inside \varnothing 2.7 mm
- (3) Vacuum
- (4) NO or NC output
- (5) Pressure input



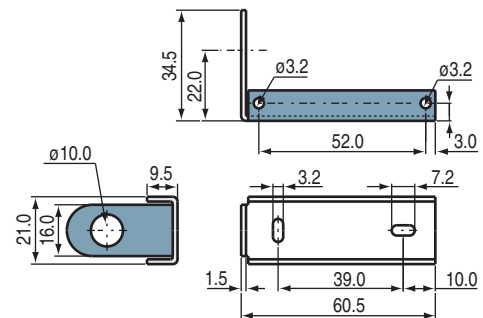
Additional Information

- Mounting as GVO option in the GVP / GVPS / GVPD vacuum pump range.

Pneumatic connection



Vacuum switch attachment - Clip Part No: PSE.F



For all orders, please specify:
Model + Version.
Example: PSE100PNO

1: Model	2: Version
PSE 100 P	NO Normally Open (NO) NF Normally Closed (NC)

Note: all dimensions shown in (mm)